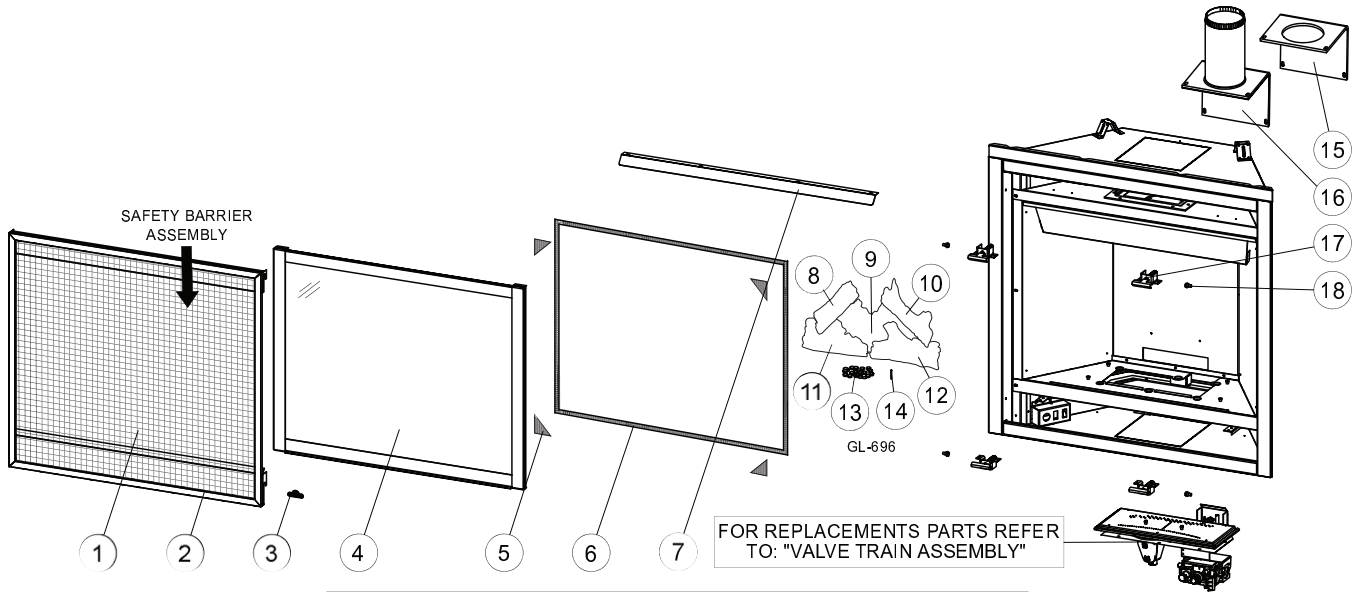


12.0 B36 OVERVIEW

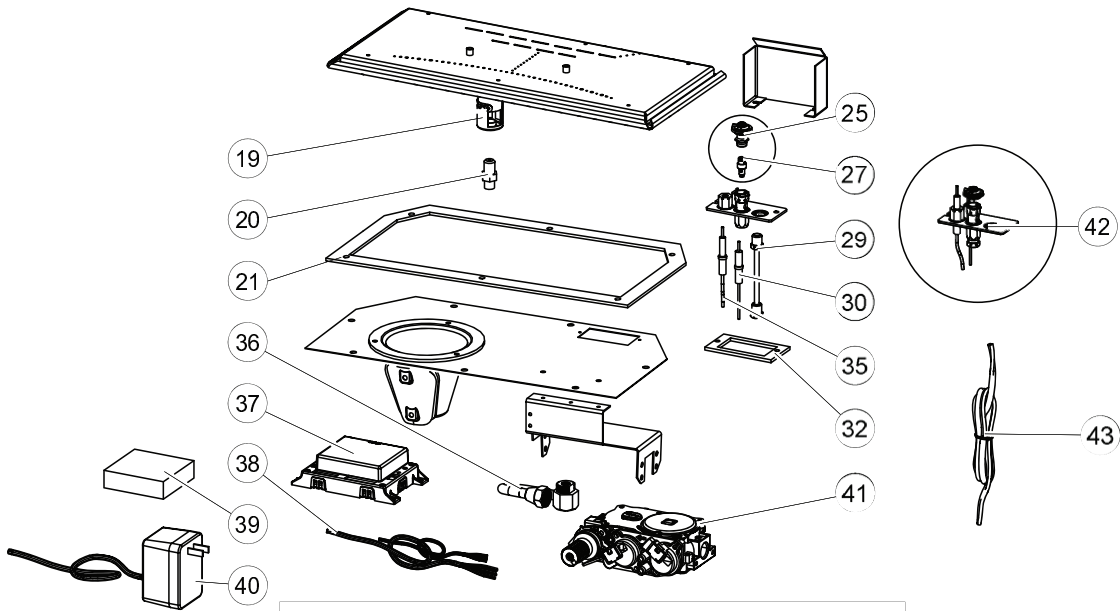


ITEMS MAY NOT APPEAR EXACTLY AS ILLUSTRATED

REF. NO.	PART NUMBER	DESCRIPTION	STOCKED
1	W565-0144	SAFETY SCREEN	YES
2	W010-3072	SAFETY BARRIER ASSEMBLY	
3	W385-0334	NAPOLEON LOGO	YES
4	W010-3402	DOOR ASSEMBLY	
5	W667-0018	GASKET TAPE (X4)	YES
6	W562-0009	DOOR GASKET	YES
7	W335-0063	HOOD	
8	W135-0546	LEFT CROSSOVER LOG (GL-696)	YES
9	W135-0588	REAR LOG (GL-696)	YES

REF. NO.	PART NUMBER	DESCRIPTION	STOCKED
10	W135-0589	RIGHT CROSSOVER LOG (GL-696)	YES
11	W135-0544	LEFT SIDE LOG (GL-696)	YES
12	W135-0545	RIGHT SIDE LOG (GL-696)	YES
13	W361-0016	GLOWING EMBERS (GL-696)	YES
14	W485-0042	LOG LOCATING PIN	YES
15	W290-0259	GASKET FLUE PIPE ASSY	YES
16	W010-3279	4" EXHAUST FLUE PIPE ASSY	YES
17	W010-3070	DOOR LATCHES (X4)	
18	W570-0135	SHOULDER SCREWS (X4)	YES

13.0 B36 ELECTRONIC VALVE TRAIN ASSEMBLY

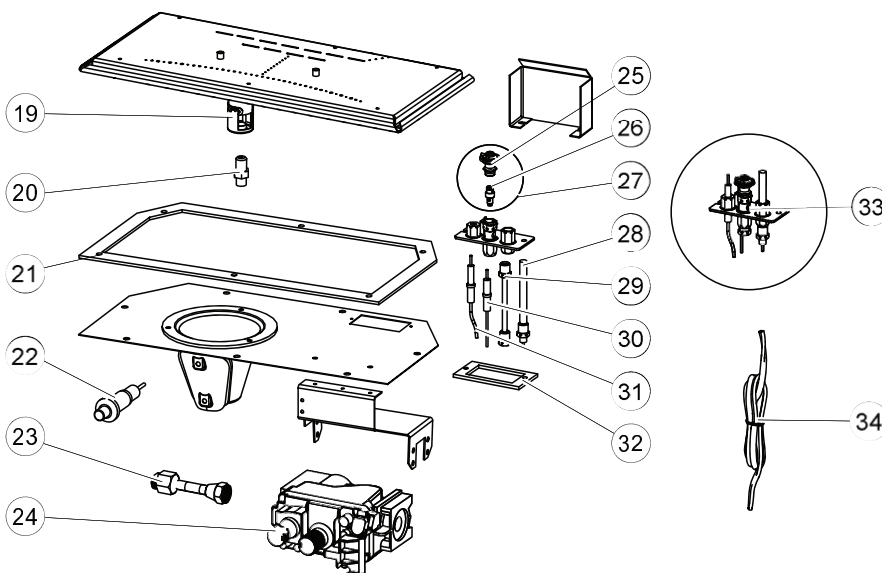


ITEMS MAY NOT APPEAR EXACTLY AS ILLUSTRATED

REF. NO.	PART NUMBER	DESCRIPTION	STOCKED
19	W100-0190	BURNER ASSEMBLY	YES
20	W456-0047	BURNER ORIFICE #47 (NG)	YES
20	W456-0056	BURNER ORIFICE #56 (LP)	YES
21	W290-0248	VALVE TRAIN GASKET	YES
25	W335-0039	PILOT HOOD	YES
27	W455-0070	PILOT ORIFICE #62 (NG)	YES
27	W455-0068	PILOT ORIFICE #35 (LP)	YES
29	W720-0062	PILOT TUBE (w/ FITTINGS)	YES
30	W240-0013	ELECTRODE (w/ WIRE)	YES
32	W290-0029	PILOT GASKET	
35	W245-0025	THERMOSENSOR	YES

REF. NO.	PART NUMBER	DESCRIPTION	STOCKED
36	W432-0046	MANIFOLD FLEX PIPE	YES
37	W190-0072	CONTROL MODULE	YES
38	W010-1986	WIRE HARNESS	YES
39	W350-0702	BATTERY BACK-UP	YES
40	W707-0010	TRANSFORMER	YES
41	W725-0062	886 PROFLAME VALVE (NG)	YES
41	W725-0063	886 PROFLAME VALVE (LP)	YES
42	W010-2763	PILOT ASSEMBLY (NG)	
42	W010-2808	PILOT ASSEMBLY (LP)	
43	W750-0270	WIRE SWITCH	YES

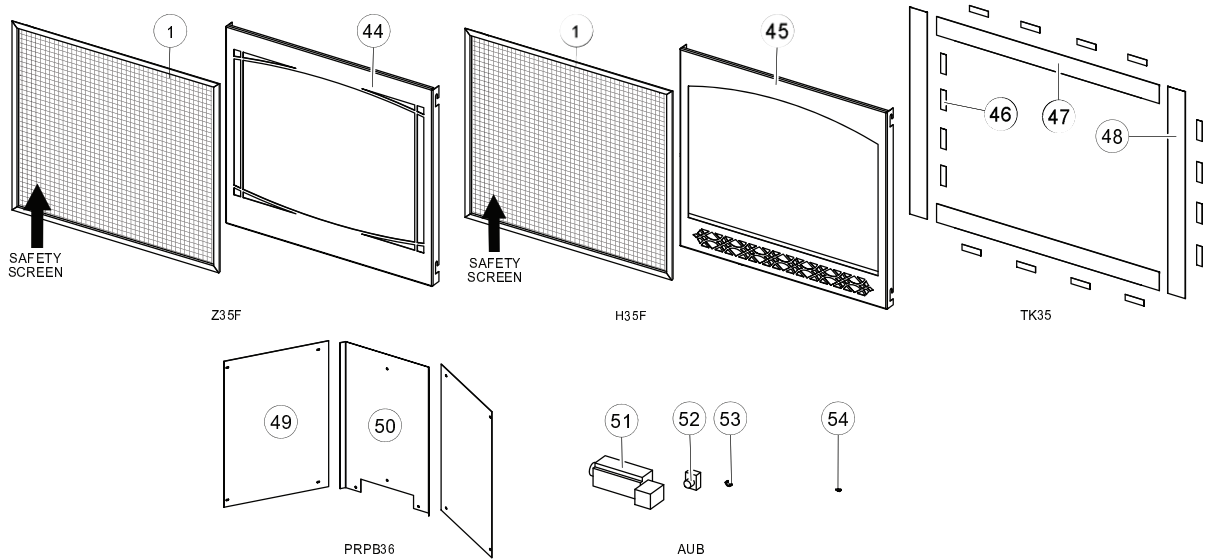
14.0 B36 MILLIVOLT VALVE TRAIN ASSEMBLY



ITEMS MAY NOT APPEAR EXACTLY AS ILLUSTRATED

REF. NO.	PART NUMBER	DESCRIPTION	STOCKED	REF. NO.	PART NUMBER	DESCRIPTION	STOCKED
19	W100-0190	BURNER ASSEMBLY	YES	27	W010-0801	PILOT (NG)	YES
20	W456-0047	BURNER ORIFICE #47 (NG)	YES	27	W010-0800	PILOT (LP)	YES
20	W456-0056	BURNER ORIFICE #56 (LP)	YES	28	W680-0004	THERMOPILE	YES
21	W290-0248	VALVE TRAIN GASKET	YES	29	W720-0062	PILOT TUBE (w/ FITTINGS)	YES
22	W357-0001	PUSH BUTTON IGNITOR	YES	30	W240-0006	ELECTRODE (w/ WIRE)	YES
23	W432-0078	MANIFOLD FLEX PIPE	YES	31	W680-0005	THERMOCOUPLE	YES
24	W725-0025	VALVE (NG)	YES	32	W290-0029	PILOT GASKET	
24	W725-0043	VALVE (LP)	YES	33	W010-0798	PILOY ASSEMBLY (NG)	
25	W335-0039	PILOT HOOD	YES	33	W010-0799	PILOT ASSEMBLY (LP)	
26	W455-0070	PILOT ORIFICE #62 (NG)	YES	34	W750-0112	WIRE SWITCH	
26	W455-0068	PILOT ORIFICE #35 (LP)	YES				

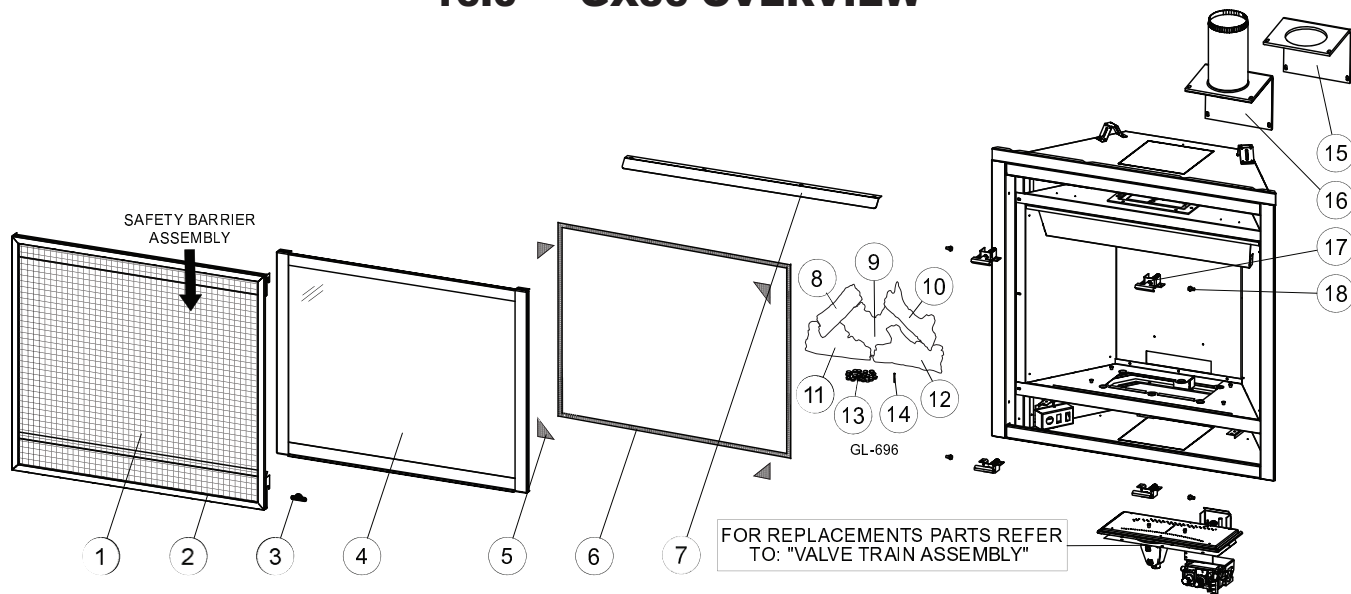
15.0 B36 ACCESSORIES



REF. NO.	PART NUMBER	DESCRIPTION	STOCKED
1	W565-0144	SAFETY SCREEN (Z35F & H35F)	YES
44	W010-3281	ZEN FRONT ASSEMBLY (Z35F)	
45	W010-3282	HERRITAGE FRONT ASSEMBLY(H35F)	
46	W430-0003	MAGNET (X16) (TK35)	YES
47	W715-0953	TOP/BOTTOM TRIM (X2) (TK35)	
48	W715-0952	SIDE TRIM (X2) (TK35)	
49	W475-1012	SIDE PORCELAIN PANEL(X2) (PRPB36)	

REF. NO.	PART NUMBER	DESCRIPTION	STOCKED
50	W475-1012	REAR PORCELAIN PANEL (PRPB36)	
51	W062-0051	BLOWER (AUB)	YES
52	KB-35	VARIABLE SPEED SWITCH	YES
53	W690-0002	THERMODISC	YES
54	ACS-SIT	ANTI-CONDENSATION SWITCH (ACS)	YES

16.0 GX36 OVERVIEW

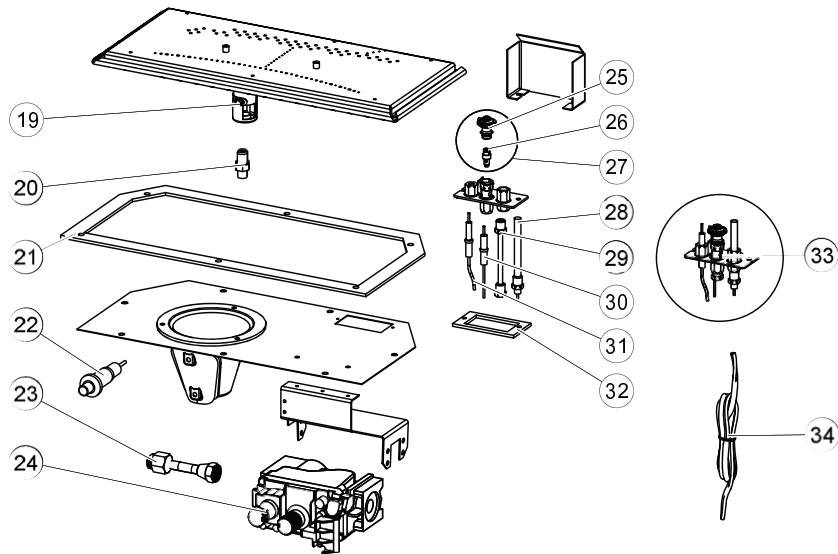


ITEMS MAY NOT APPEAR EXACTLY AS ILLUSTRATED

REF. NO.	PART NUMBER	DESCRIPTION	STOCKED
1	W565-0144	SAFETY SCREEN	YES
2	W010-3072	SAFETY BARRIER ASSEMBLY	
3	W385-0334	NAPOLEON LOGO	YES
4	W010-3402	DOOR ASSEMBLY	
5	W667-0018	GASKET TAPE (X4)	YES
6	W562-0009	DOOR GASKET	YES
7	W335-0063	HOOD	
8	W135-0546	LEFT CROSSOVER LOG (GL-696)	YES
9	W135-0588	REAR LOG (GL-696)	YES

REF. NO.	PART NUMBER	DESCRIPTION	STOCKED
10	W135-0589	RIGHT CROSSOVER LOG (GL-696)	YES
11	W135-0544	LEFT SIDE LOG (GL-696)	YES
12	W135-0545	RIGHT SIDE LOG (GL-696)	YES
13	W361-0016	GLOWING EMBERS (GL-696)	YES
14	W485-0042	LOG LOCATING PIN	YES
15	W290-0259	GASKET FLUE PIPE ASSY	YES
16	W010-3279	4" EXHAUST FLUE PIPE ASSY	YES
17	W010-3070	DOOR LATCHES (X4)	
18	W570-0135	SHOULDER SCREWS (X4)	YES

17.0 GX36 MILLIVOLT VALVE TRAIN ASSEMBLY

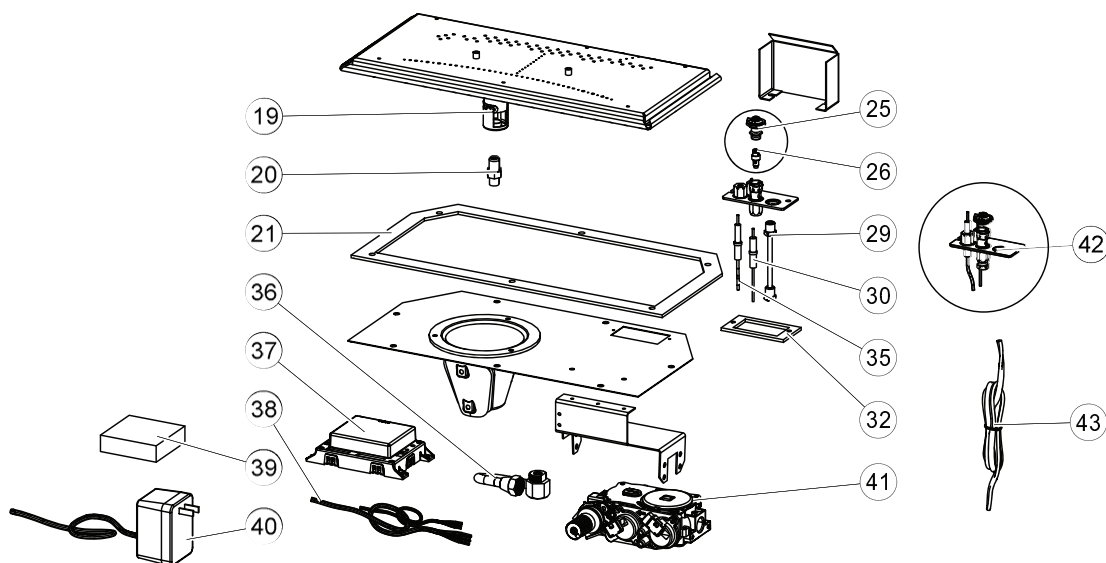


ITEMS MAY NOT APPEAR EXACTLY AS ILLUSTRATED

REF. NO.	PART NUMBER	DESCRIPTION	STOCKED	REF. NO.	PART NUMBER	DESCRIPTION	STOCKED
19	W100-0191	BURNER ASSEMBLY	YES	26	W455-0068	PILOT ORIFICE #35 (LP)	YES
20	W456-0042	TOP VENT BURNER ORIFICE #42 (NG)	YES	27	W010-0801	PILOT (NG)	YES
20	W456-0043	REAR VENT BURNER ORIFICE #43 (NG)	YES	27	W010-0800	PILOT (LP)	YES
20	W456-0053	BURNER ORIFICE #53 (LP)	YES	28	W680-0004	THERMOPILE	YES
21	W290-0248	VALVE TRAIN GASKET	YES	29	W720-0062	PILOT TUBE (w/ FITTINGS)	YES
22	W357-0001	PUSH BUTTON IGNITOR	YES	30	W240-0006	ELECTRODE (w/ WIRE)	YES
23	W432-0078	MANIFOLD FLEX PIPE	YES	31	W680-0005	THERMOCOUPLE	YES
24	W725-0025	VALVE (NG)	YES	32	W290-0029	PILOT GASKET	
24	W725-0043	VALVE (LP)	YES	33	W010-0798	PILOY ASSEMBLY (NG)	
25	W335-0039	PILOT HOOD	YES	33	W010-0799	PILOY ASSEMBLY (LP)	
26	W455-0070	PILOT ORIFICE #62 (NG)	YES	34	W750-0112	WIRE SWITCH	

NOTE: A #42 orifice was supplied with your appliance. In installations with a vertical rise greater than 8" (203mm) in the vent configuration, the #42 orifice must be used to increase the flame size.

18.0 GX36 ELECTRONIC VALVE TRAIN ASSEMBLY

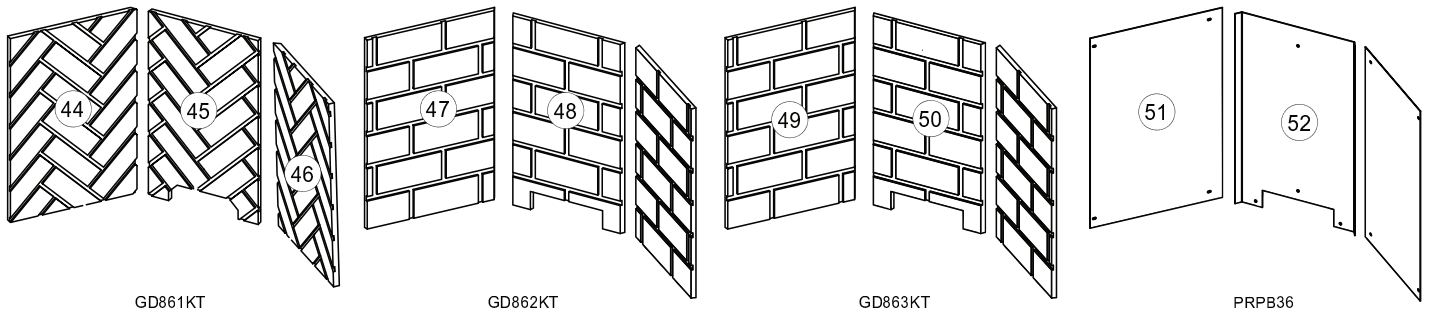


ITEMS MAY NOT APPEAR EXACTLY AS ILLUSTRATED

REF. NO.	PART NUMBER	DESCRIPTION	STOCKED	REF. NO.	PART NUMBER	DESCRIPTION	STOCKED
19	W100-0191	BURNER ASSEMBLY	YES	35	W245-0025	THERMOSENSOR	YES
20	W456-0042	TOP VENT BURNER ORIFICE #42 (NG)	YES	36	W432-0046	MANIFOLD FLEX PIPE	YES
20	W456-0043	REAR VENT BURNER ORIFICE #43 (NG)	YES	37	W190-0072	CONTROL MODULE	YES
20	W456-0053	BURNER ORIFICE #53 (LP)	YES	38	W010-1986	WIRE HARNESS	YES
21	W290-0248	VALVE TRAIN GASKET	YES	39	W350-0702	BATTERY BACK-UP	YES
25	W335-0039	PILOT HOOD	YES	40	W707-0010	TRANSFORMER	YES
26	W455-0070	PILOT ORIFICE #62 (NG)	YES	41	W725-0062	886 PROFLAME VALVE (NG)	YES
26	W455-0068	PILOT ORIFICE #35 (LP)	YES	41	W725-0063	886 PROFLAME VALVE (LP)	YES
29	W720-0062	PILOT TUBE (w/ FITTINGS)	YES	42	W010-2763	PILOT ASSEMBLY (NG)	
30	W240-0013	ELECTRODE (w/ WIRE)	YES	42	W010-2808	PILOT ASSEMBLY (LP)	
32	W290-0029	PILOT GASKET		43	W750-0270	WIRE SWITCH	YES

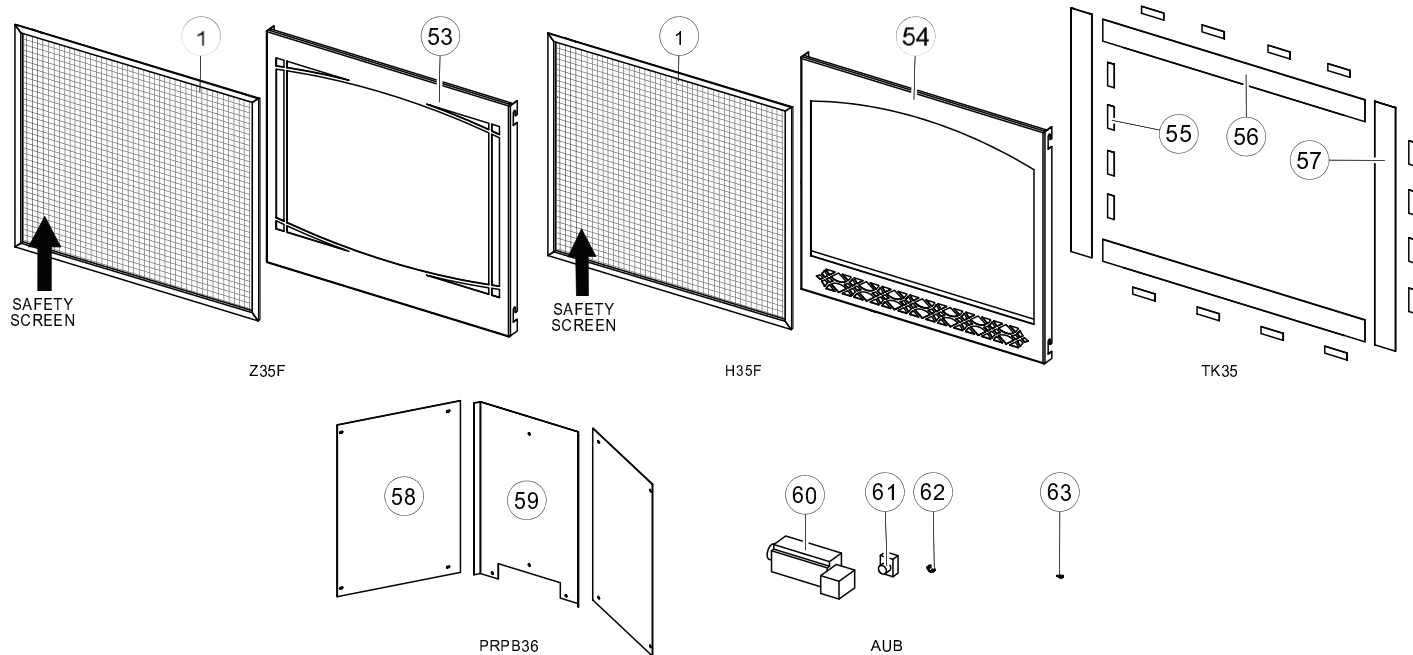
NOTE: A #42 orifice was supplied with your appliance. In installations with a vertical rise greater than 8" (203mm) in the vent configuration, the #42 orifice must be used to increase the flame size.

19.0 GX36 ACCESSORIES



ITEMS MAY NOT APPEAR EXACTLY AS ILLUSTRATED

REF. NO.	PART NUMBER	DESCRIPTION	STOCKED
44	W475-0994	LEFT SIDE HERRINGBONE PANEL (GD861KT)	
45	W475-0993	REAR HERRINGBONE PANEL (GD861KT)	
46	W475-0995	RIGHT SIDE HERRINGBONE PANEL (GD861KT)	
47	W475-0992	SIDE SANDSTONE BRICK PANEL (X2) (GD862KT)	
48	W475-0991	REAR SANDSTONE BRICK PANEL (GD862KT)	
49	W475-0997	SIDE NEWPORT BRICK PANEL (X2) (GD863KT)	
50	W475-0996	REAR NEWPORT BRICK PANEL (GD863KT)	
51	W475-0990	SIDE PORCELAIN PANELS (X2) (PRPB36)	
52	W475-0989	REAR PORCELAIN PANEL (PRPB36)	



ITEMS MAY NOT APPEAR EXACTLY AS ILLUSTRATED

REF. NO.	PART NUMBER	DESCRIPTION	STOCKED
1	W565-0144	SAFETY SCREEN (Z35F & H35F)	YES
53	W010-3281	ZEN FRONT ASSEMBLY (Z35F)	
54	W010-3282	HERRITAGE FRONT ASSEMBLY(H35F)	
55	W430-0003	MAGNET (X16) (TK35)	YES
56	W715-0953	TOP/BOTTOM TRIM (X2) (TK35)	
57	W715-0952	SIDE TRIM (X2) (TK35)	
58	W475-1012	SIDE PORCELAIN PANEL (X2) (PRPB36)	

REF. NO.	PART NUMBER	DESCRIPTION	STOCKED
59	W475-1012	REAR PORCELAIN PANEL (PRPB36)	
60	W062-0051	BLOWER (AUB)	YES
61	KB-35	VARIABLE SPEED SWITCH	YES
62	W690-0002	THERMODISC	YES
63	ACS-SIT	ANTI-CONDENSATION SWITCH (ACS)	YES